

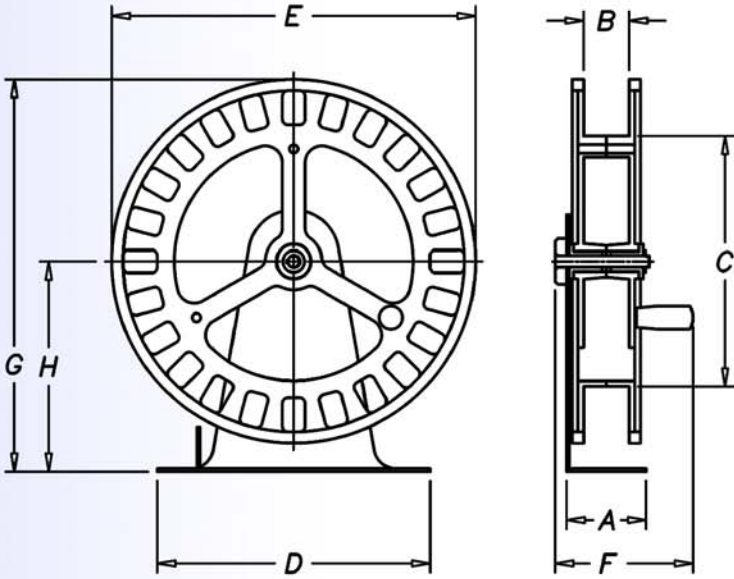


UGR50 OR UGR100 SERIES

HAND REWIND STATIC GROUNDING REELS OR SPRING REWIND (available on request)

Static grounding reels provide for the payout, retraction and compact storage of 50 and 100 feet of static grounding cable, use in any flammable atmosphere when a build-up of static electricity could cause a spark and subsequent explosion, they operate manually by hand or with a spring re-wind mechanism requiring minimal cable pull to release the lock. A declutching arbor on the spring models automatically disengages the spring to prevent damage from reversing winding.

Series UGR can be supplied with or without 3/32" diameter galvanized carbon steel aircraft cable X3/16" OD, clear PVC cover & "Y" bracket.



CABLE CAPACITY OF REEL IN FEET		MODEL NUMBER	REEL DIMENSIONS IN INCHES								APPROX. NET WEIGHT (LBS)
CABLE O.D	WIRE DIA		A	B	C	D	E	F	G	H	
3/16	3/32	UGR50	4 1/4	1 3/8	12	13	15	5 3/4	15 3/4	8 1/4	48
3/16	3/32	UGR100	4 1/4	1 3/8	18	23	23	5 3/4	24 1/2	13	48

Note: Standard paint colour-grey , other colours available, consult factory.