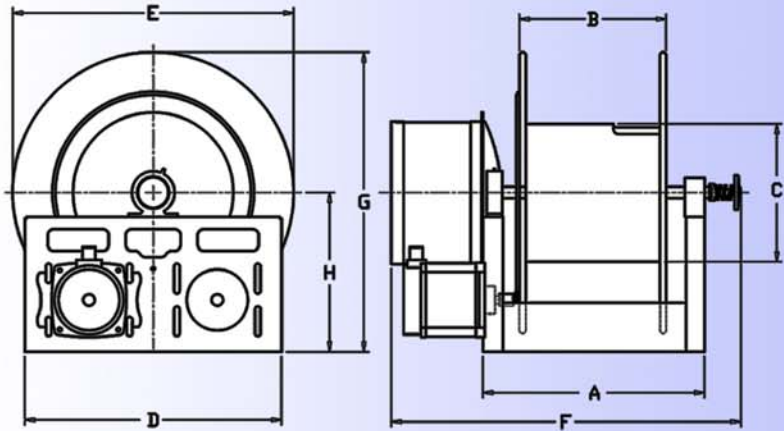
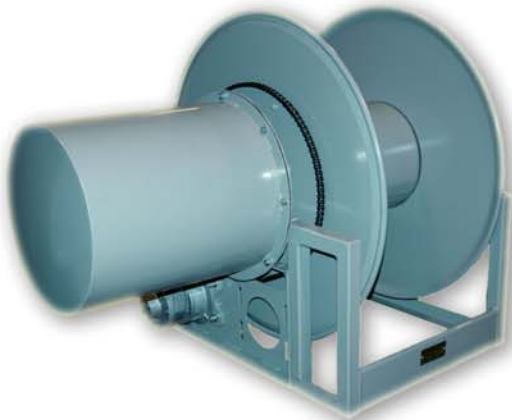


RC21 SERIES
FOR 3-CONDUCTOR SERVICE

SERIES RC21

CABLE REELS

Choose Unique direct crank rewind or chain and sprocket drive powered by AC or DC electric motor or compressed air motor,. Crank is supplied on power rewind models. An adjustable spring drag device is used to brake the reel. Spring rewind cable reels also available.



GAUGE/ No. of CONDUCTORS								MODEL NUMBER	REEL DIMENSIONS in INCHES								APPROX. NET WEIGHT (LBS)		
16/3	14/3	12/3	10/3	8/3					F DIMENSION BASE ON 3 CONDUCTOR SLIP RING										
CABLE O.D in INCHES									A	B	C	D	E	E	F	F		G	H
.375	.530	.580	.705	.750	1.00	1.25	1.50		CRK	PWR	CRK	PWR							
CABLE CAPACITY IN FEET																			
1900	930	775	520	430	240	155	105	RC2100-23-12	18	12	11 1/4	24	23	23	29	29	24 1/2	13	72
2700	1350	1100	750	360	185	185	135	RC2100-31-8	14	8	11 1/4	21	31	31	25	25	32 1/2	17	79

Note: - Many more sizes available from standard components, please consult manufacturer
 - Standard paint colour-grey, other colours available, consult factory.