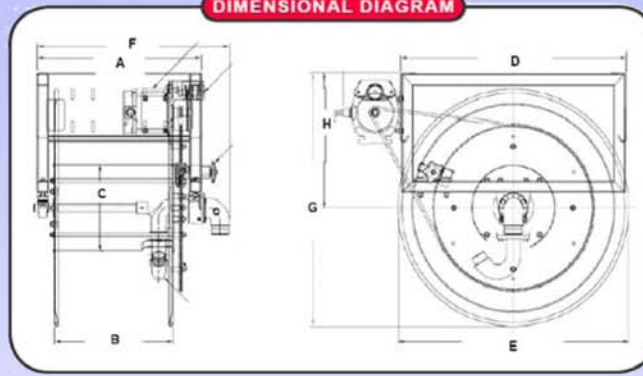


**DIMENSIONAL DIAGRAM**



**R33 SERIES**  
**1 1/4" or 2"**  
**FLUID PATH**

**SERIES R33 FEATURES**  
**FOR 1 1/4" THROUGH 2" I.D. HOSE**  
**(INVERTED STYLE)**

UNIQUE STANDARD HOSE REEL CAPACITY	R33 SERIES REEL DIMENSIONS								APPROX. WEIGHT		MODEL				HOSE CAPACITY				UNIQUE STANDARD HOSE REEL CAPACITY
	inches mm								lb kg		SERIES				feet m				
	Frame Length A	Drum Length B	Drum Diameter C	Frame Width D	Head Diameter E	Electric F	Overall Height G	Center to Base H	NET	SHIP	Head Dia.	Drum LG.	Drum Dia.	1 1/4" 32 mm	1 3/8" 35 mm	1 1/2" 38 mm	2" 51	I. D.	
													1 13/16" 46 mm	2" 51 mm	2 1/16" 52 mm	2 9/16" 65	O. D.		
	16	10	11 1/4	30	31	20 1/4	33	17 1/2	174	204	R33200 - 31 -10x 11		130	90	80				
	406	254	286	762	787	514	838	445	79	93			40	27	24				
	18	12	11 1/4	30	31	22 1/4	33	17 1/2	176	206	R33200 - 31 -12x 11		155	115	105				
	457	305	286	762	787	565	838	445	80	94			47	35	32				
	22	16	11 1/4	30	31	26 1/4	33	17 1/2	180	210	R33200 - 31 -16x 11		205	155	150				
	559	406	286	762	787	667	838	445	82	95			62	47	46				
	13	7	11 1/4	32	39	17 1/4	41	21 1/2	212	242	R33200 - 39 -7x 11		120	100	85				
	330	178	286	813	991	438	1041	546	96	110			37	30	26				
	15	9	11 1/4	32	39	19 1/4	41	21 1/2	214	244	R33200 - 39 -9x 11		150	135	120				
	381	229	286	813	991	489	1041	546	97	112			46	41	37				
	17	11	11 1/4	32	39	21 1/4	41	21 1/2	216	246	R33200 - 39 -11 x11		220	170	155				
	432	279	286	813	991	540	1041	546	98	95			67	52	47				
	19	13	15	30	31	24 1/2	33	17 1/2	178	208	R33200 - 31 - 13 x 15		120	110	105	60			
	483	330	381	762	787	622	838	445	81	95			37	34	32	18			
	18	12	15	32	39	23 1/2	41	21 1/2	218	248	R33200 - 39 - 12 x 15		225	180	160	105			
	457	305	381	813	991	597	1041	546	99	113			69	55	49	32			
	22	16	15	32	39	27 1/2	41	21 1/2	224	254	R33200 - 39- 16 x 15		305	245	225	150			
	559	406	381	813	991	699	1041	546	102	115			93	75	69	46			